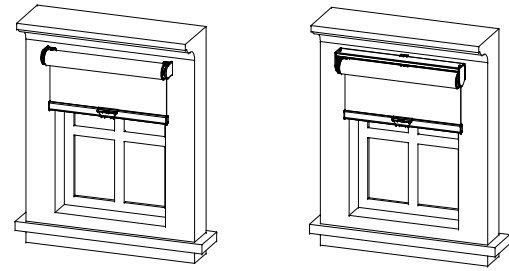
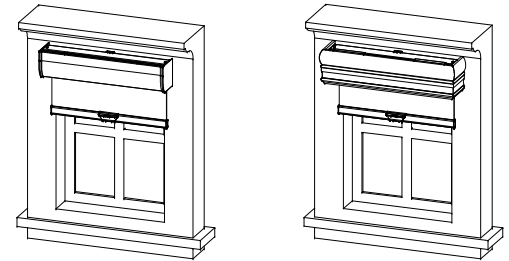


Roller Shade Installation Instruction



Regular

With Raceway



With Fascia

With Valance

Recommended Tools

- Screw gun / Drill
- Tape Measure
- Screwdriver
- Level
- Pencil



Hardware Included

1. Screws needed for installing

Hardware	Drawing	Usage
1 1/4" Hexagon screw		To install bracket
2" Flat head screw		To install safety tension device
3/4" Round head screw		To install hold down bracket

2. Hardware for Regular Roller shade

Hardware	Drawing	Usage
Shade bracket		To install shade (on Clutch end/ Tension Dial end /Motor end)
Shade bracket		To install shade (on End Plug end)
Shade bracket cover		Shade bracket cover
6mm Extension		Used for Coupled Shade

Link bracket		Used for Coupled Shade
Link rod		
Link bearing		
Link adapter		

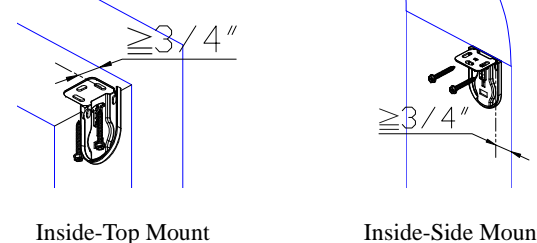
3. Hardware for Roller shade with Raceway System

Hardware	Drawing	Usage
Mounting bracket		To install Raceway (for outside mount middle of raceway)
		To install Raceway (for outside mount)
Valance bracket		To install Fascia / Valance (mounted on raceway)
Valance clip		To install Fascia / Valance (placed on Fascia/Valance)
Square Fascia end cap		For Square Fascia
Curved Fascia end cap		For Curved Fascia
Valance return connector		To connect fabric valance returns
Valance return connector		To connect wood valance returns
Handle		For Cordless Shades

Shade Bracket Installation

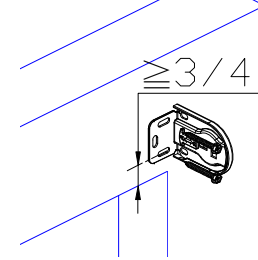
For Regular shade Inside -Top Mount & Side Mount

When installing the shade bracket, the distance from the bracket's front mounting hole to the front edge of the window frame should be at least 3/4". Make sure both shade brackets line up with each other horizontally. Each shade bracket will require two 1 1/4" hexagon screws for the installation. For Inside-Side Mount shade, the shade bracket covers bracket first, and then screw brackets into wall. (Bracket cover will be screwed with holes during your installing).



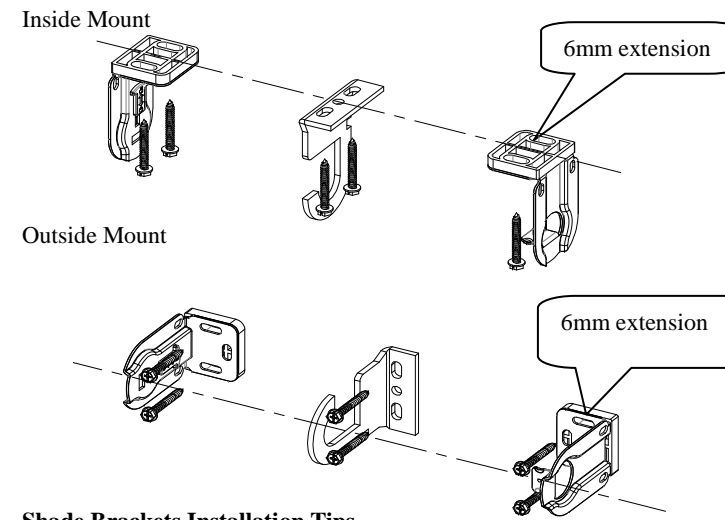
For Regular shade Outside Mount

When installing the shade bracket, the top of each shade bracket needs to be parallel with the edge of the window frame. The distance from the shade bracket's mounting holes to the front edge of the window frame should be at least 3/4". Make sure all the shade brackets are level and aligned with each other. Each shade bracket will require two 1 1/4" hexagon screws for the installation.



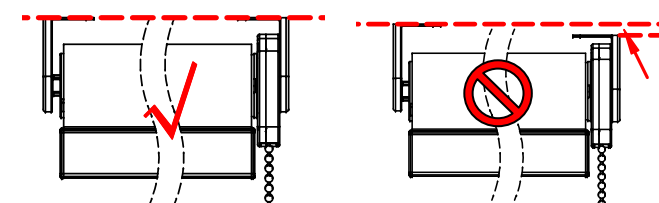
For Coupled Shade

When installing the coupled shade link bracket, make sure that the center of both the link bracket and the shade bracket line up and are level with each other. For inside mount, make sure the link bracket's opening faces the front. For outside mount, the link bracket opening needs to face up. Each shade bracket will require two 1 1/4" hexagon screws for the installation. Coupled shades must be installed with a 6mm extension on each of the brackets both the left and the right.

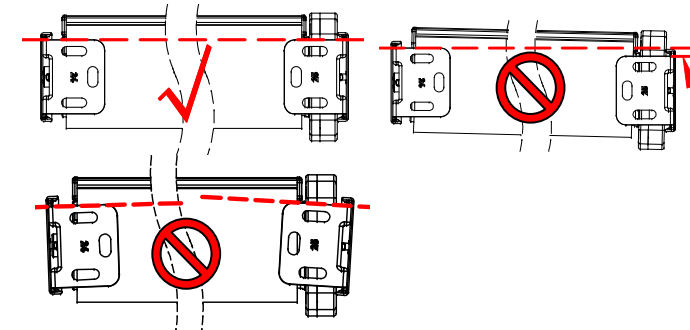


Shade Brackets Installation Tips

①The top & bottom of left & right shade brackets should be at the same horizontal line.

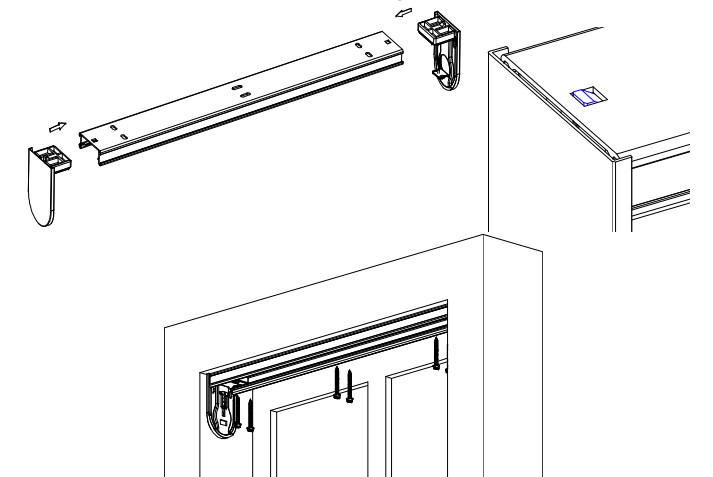


②The front & back of left & right shade brackets should be at the same horizontal line.



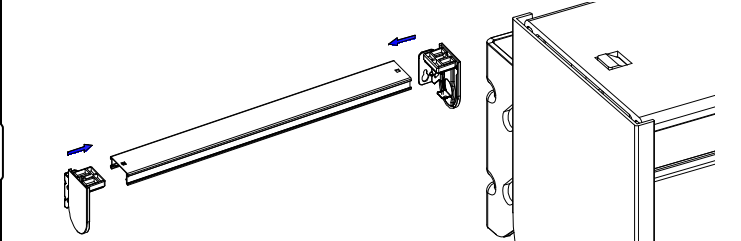
For Roller Shade with Raceway System (Inside Mount)

Attach the shade brackets and extensions into the two ends of the raceway. Make sure the extension bolt locks into the raceway's dedicated hole. Install the raceway into the window opening. It is better to screw the middle holes on raceway to make sure the raceway location can be adjusted to left or right, after the raceway has been located at proper position, and then screw other screw holes. Taking care that the distance between the 1st screw and the window edge is at least 3/4".

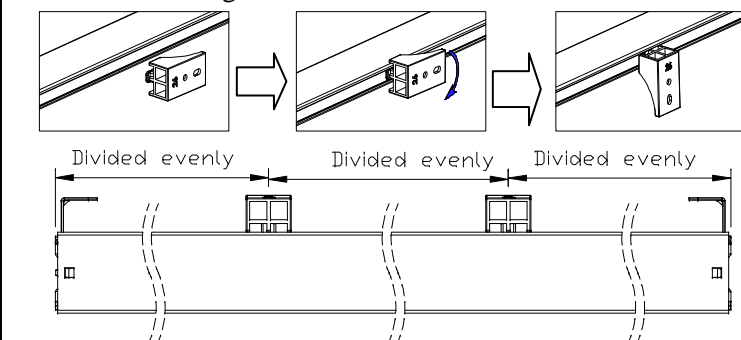


For Roller Shade with Raceway System (Outside Mount)

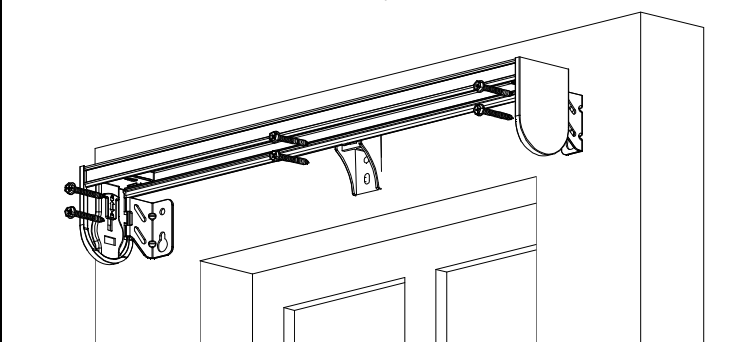
Attach the shade brackets and extensions into the two ends of the raceway. Make sure the extension bolt locks into the raceway's dedicated hole. If there is middle mounting bracket, then install the middle mounting bracket into the raceway. And then screw the left & right shade brackets and middle bracket into the wall. Taking care that the distance between the 1st screw and the window edge is at least 3/4".



Middle Mounting Bracket



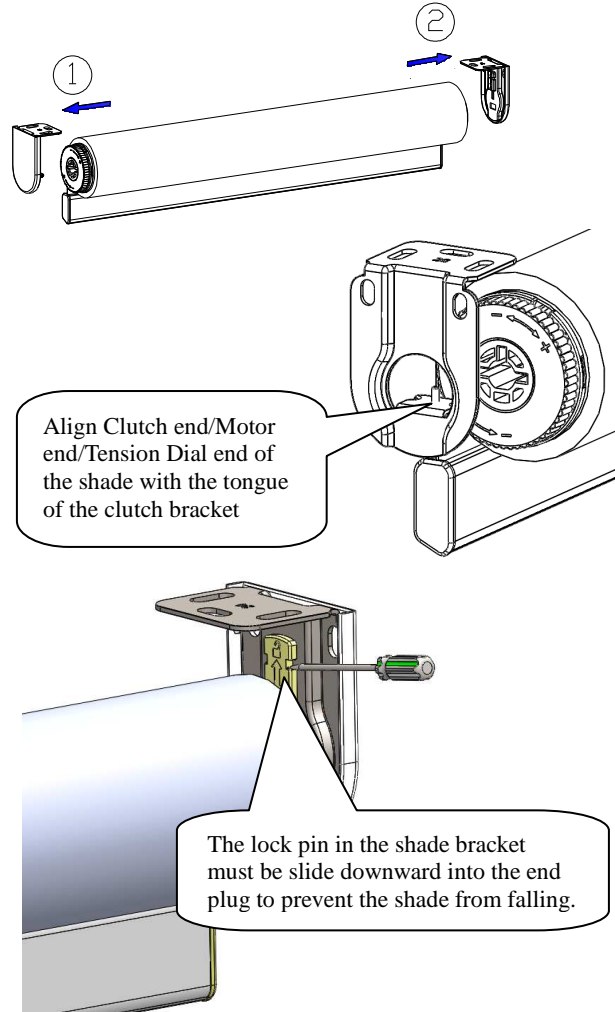
The space between each mounting bracket should be divided evenly as pictured. Middle brackets should be installed before shade brackets on raceway ends.



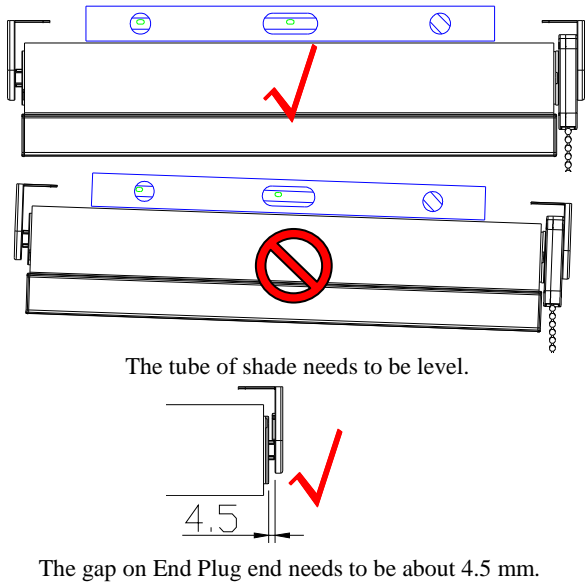
Shade Installation and Removal

Installation of the Shade

- ① First, insert the Clutch end/Motor end/Tension Dial end into the tongue of clutch bracket
- ② Second, press the end plug and insert the End Plug end into the hole of bracket of the other side.
- ③ Finally slide the lock pin in the shade bracket downward into the end plug to prevent the shade from falling.

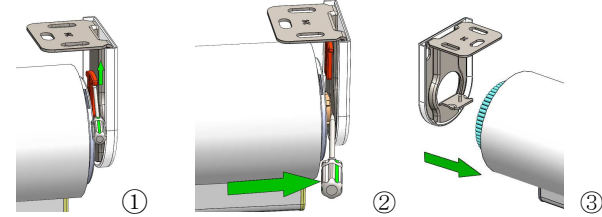


Shade Installation Tips: After shade is installed into shade brackets, use a Level to check if the tube of shade is horizontal; if not, please adjust the position of shade brackets to keep the tube level.



Removal of the Shade

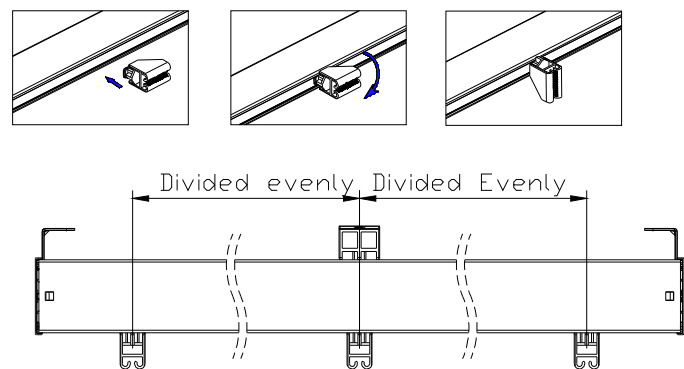
- Use a tool to push the lock pin on end plug bracket upward ①
- Use tool to draw back the end plug from bracket ②
- Finally remove shade from mounting bracket. As shown drawing ③



Fascia & Valance Installation

Valance Bracket Installation

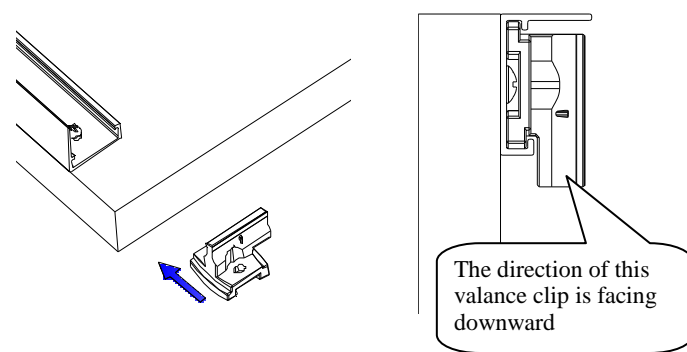
After installing the shade and raceway, the brackets for the valance or fascia come next. When installing the valance brackets, the mounting brackets must be avoided. Align the valance bracket with the raceway first and then push the bracket onto the raceway. The top groove of the valance bracket should hook onto the top of the raceway while the bracket's bottom groove clips into the bottom rib of the raceway, as shown below. The drawing below shows the valance brackets installed in an ideal position. They are placed far enough apart so that the space is divided evenly, and without interference from the mounting brackets. If the mounting bracket's location conflicts with that of the valance bracket, the valance bracket location should have an offset of 50mm to avoid interference.



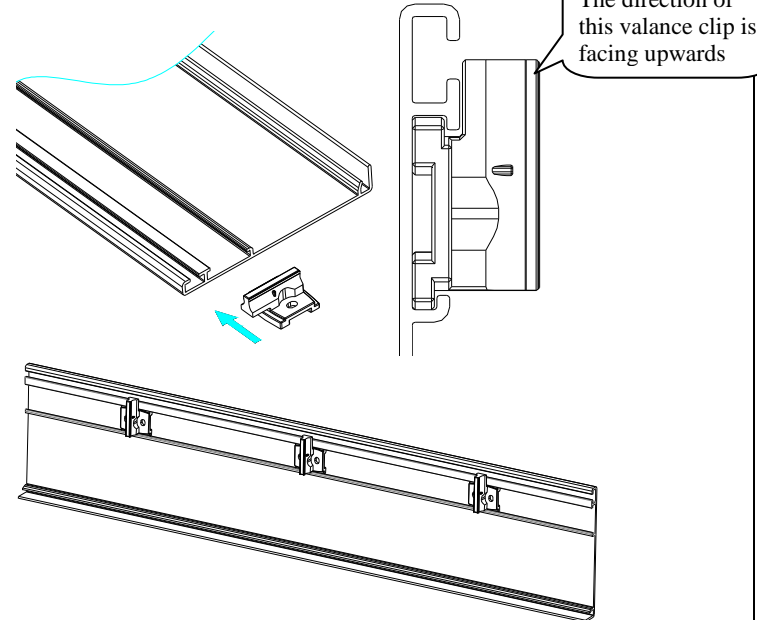
Valance Clip Installation

Insert the valance clip into the dedicated groove on the aluminum strip, paying special attention to the direction of the valance clip. For a valance, the valance clip should face downwards. For fascia, it should face up. The valance clip location should align with the valance bracket as pictured below.

For Fabric /Wood Valance:



For Fascia:

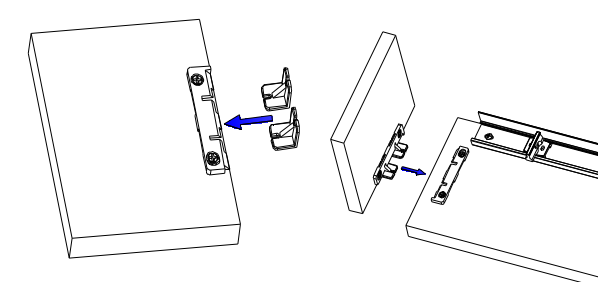


Attach Valance Return to Valance

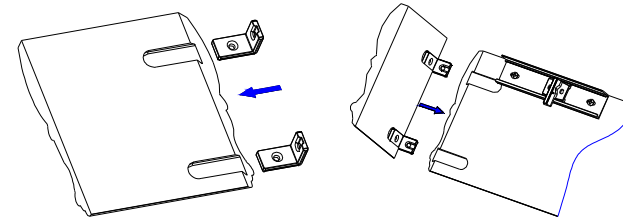
Note: please skip this step if there is no return.

- First insert valance return connector to return.
- then attach return to valance

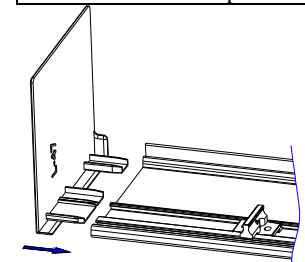
For Fabric Valance:



For Wood Valance:



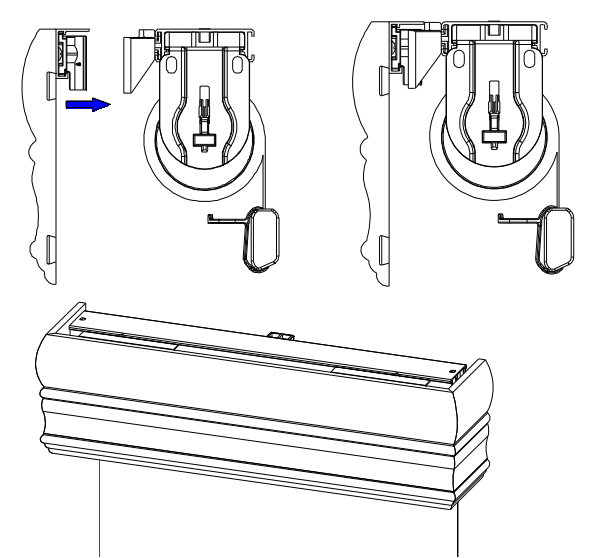
Attach Fascia End Cap to Fascia



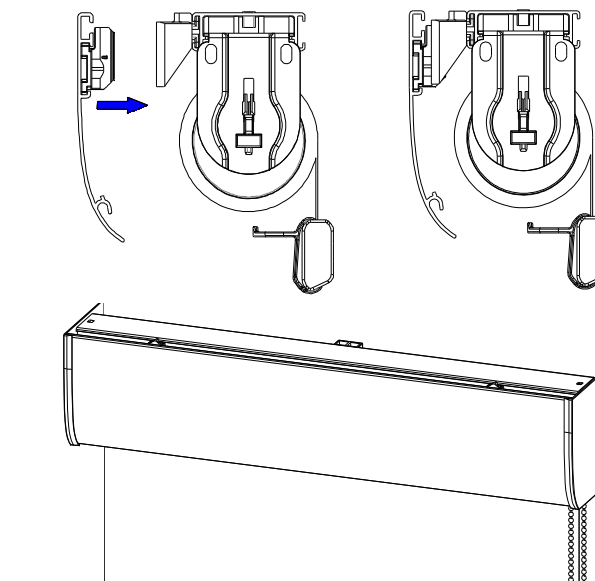
Attach Valance/Fascia to Raceway

Slide the valance clips to a position on the valance/fascia so that they are each aligned with a valance bracket on the raceway, and then push the valance clips into the valance bracket.

For Valance:



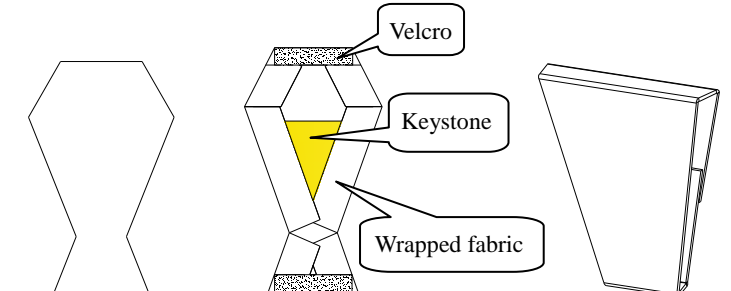
For Fascia:



Valance/Fascia Keystone Installation

Keystones are needed on Wood & Fabric Valances and fascias that require splicing.

Keystone for Fabric Valance

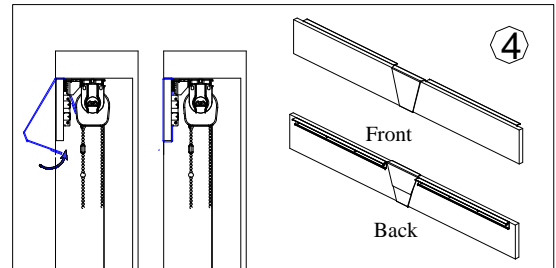
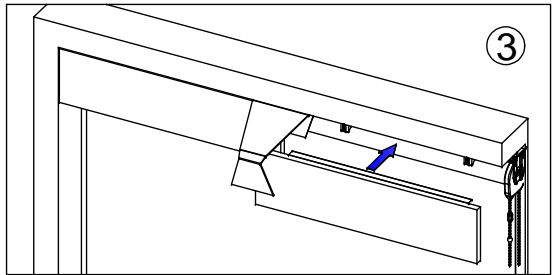
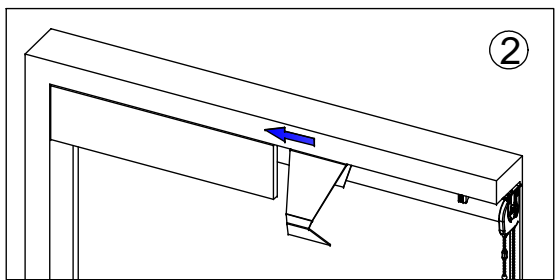
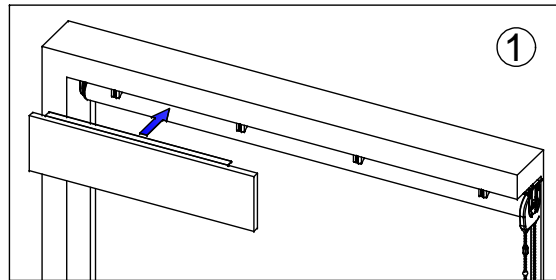


N300710-E

➤ For inside mount

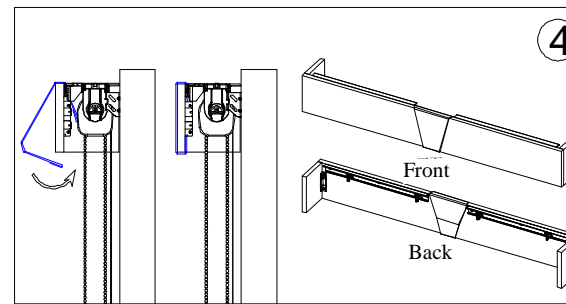
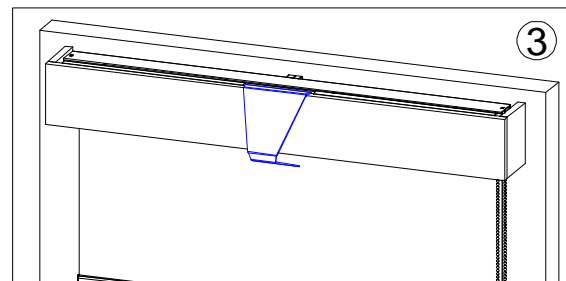
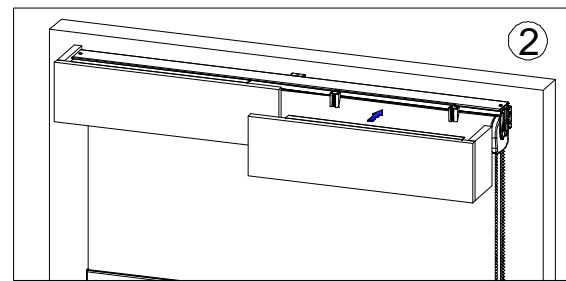
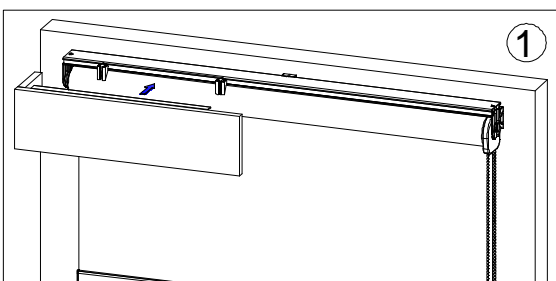
- 1) Firstly attach one piece of Valance to Raceway (as shown drawing①);
- 2) Secondly insert the top of Keystone into the gap between Valance and window frame(as shown drawing②);
- 3) And then attach another piece of Valance to the Raceway(as shown drawing③);
- 4) Finally make the bottom of Keystone go around to the back and stick the Velcro on bottom & top of Keystone together(as shown drawing④)

Note: spliced valance is composed of two pieces of valance (the left & right ones). The end far away from Aluminum Strip is the joint of these two pieces of Valance.

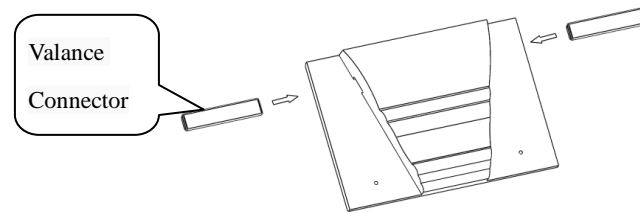


➤ For outside mount

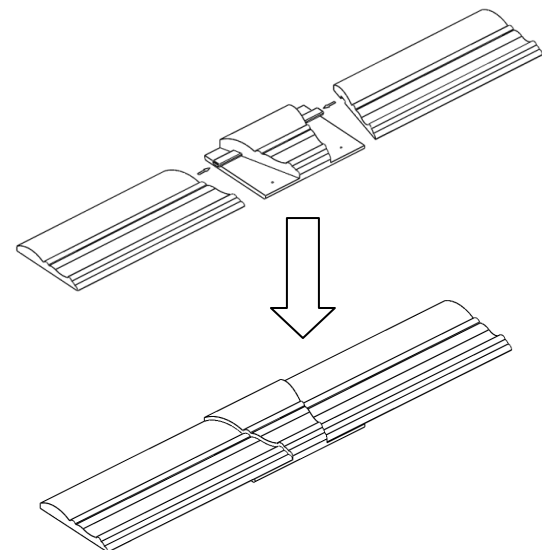
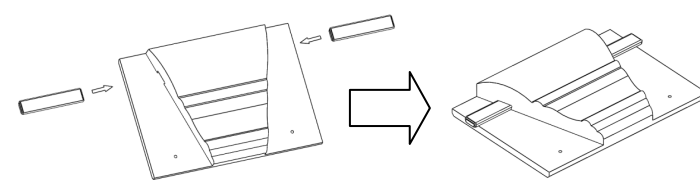
- 1) Attach each piece of valances to the raceway, as shown in drawings①&②
- 2) Place the keystone onto the joint where the two valance pieces meet. Then wrap the top and bottom flaps of the keystone around the top and bottom edges of the valance, as shown in drawing③
- 3) Lastly, secure the keystone onto the valance with the included Velcro by affixing it toward the top and bottom of the keystone



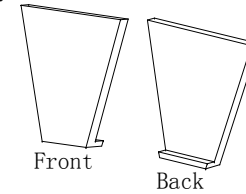
Keystone for Wood Crown Valance



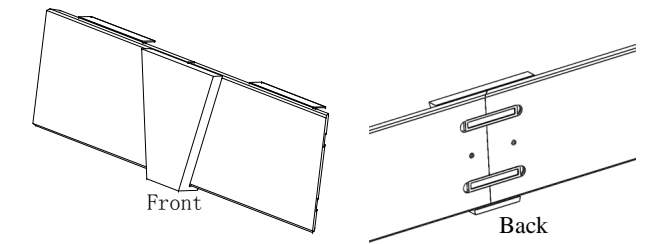
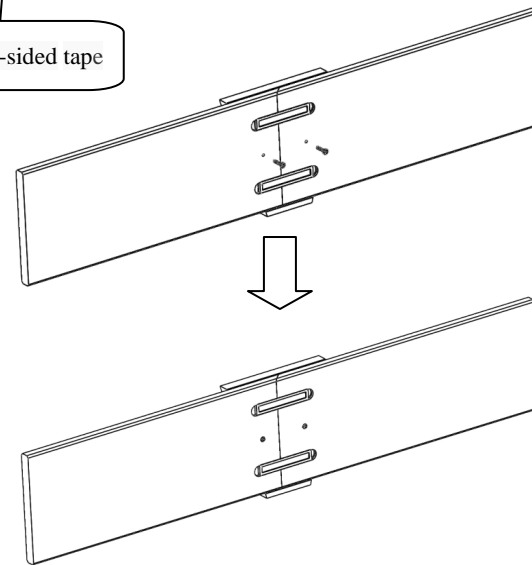
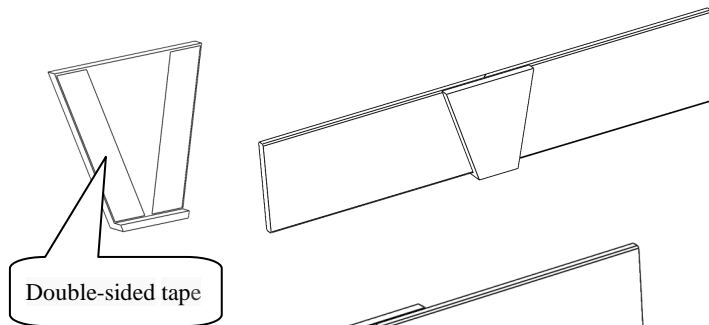
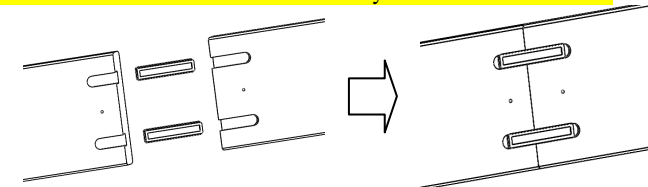
- Insert the valance connectors into the Keystone first, then align the left & right Valances with the valance connectors and insert them to the Keystone, finally use 2 screws to secure the Valance on the Keystone. As shown below:



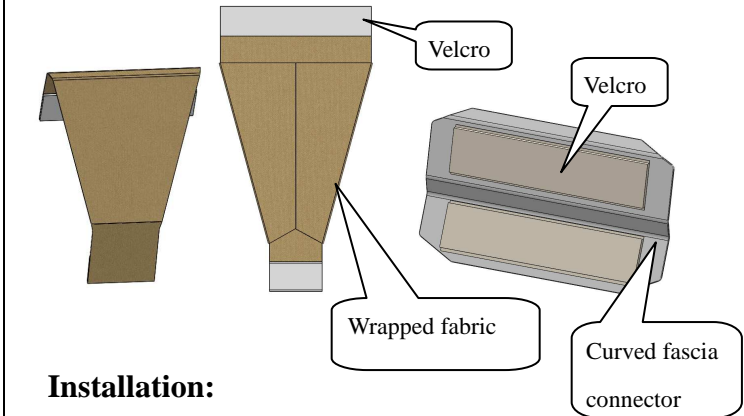
Keystone for Wood Modern Valance



- Insert the valance connectors into the left & right Valances first, then tear off the double-sided tape from the back of the Keystone and stick it to the split position of the front side of the Valances, finally use 2 screws to secure the Valance on the Keystone. As shown below:

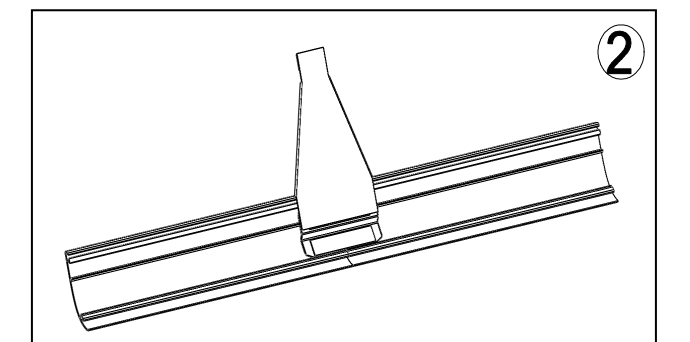
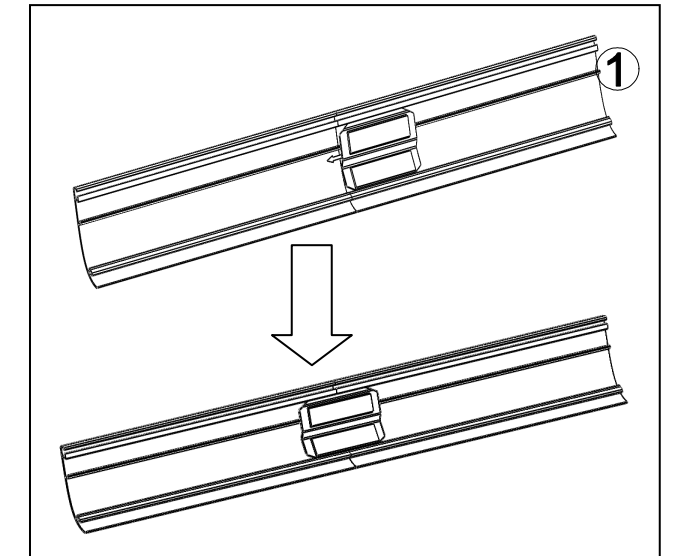


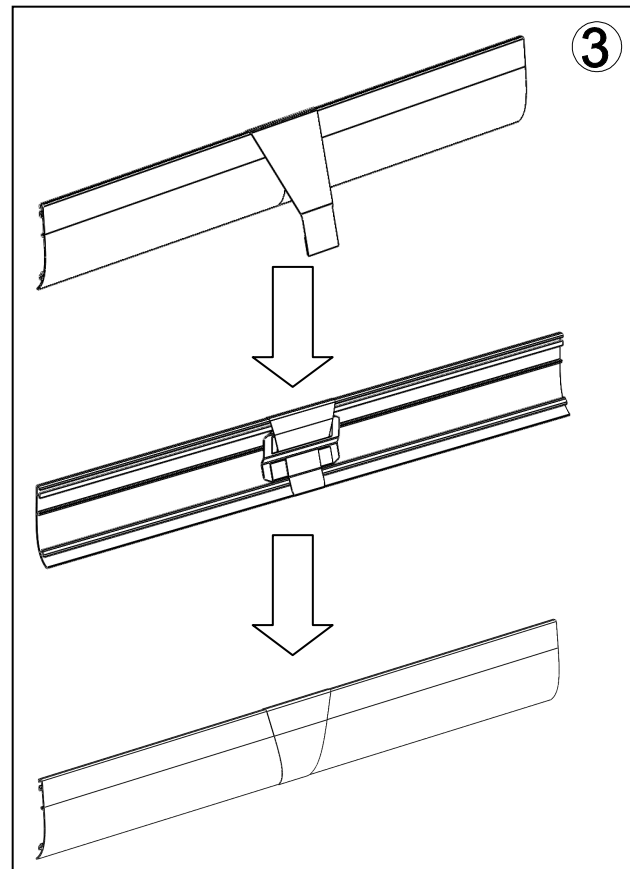
Keystone for Curved fascia with fabric inserted



Installation:

- 1) Firstly align left and right fascia, and then slip the fascia connector from left fascia to right fascia, as shown in drawing①
- 2) Secondly attach the Velcro on the top back of the wide side of the keystone to the fascia connector, as shown in drawing②
- 3) Finally wind the keystone to the front of the fascia, from the bottom edge of the fascia to the back, and attach the Velcro to the lower part of the fascia connector, as shown in drawing③



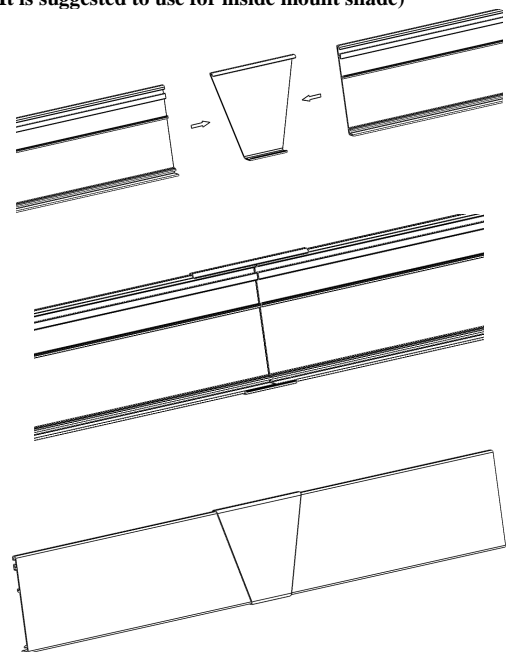


3

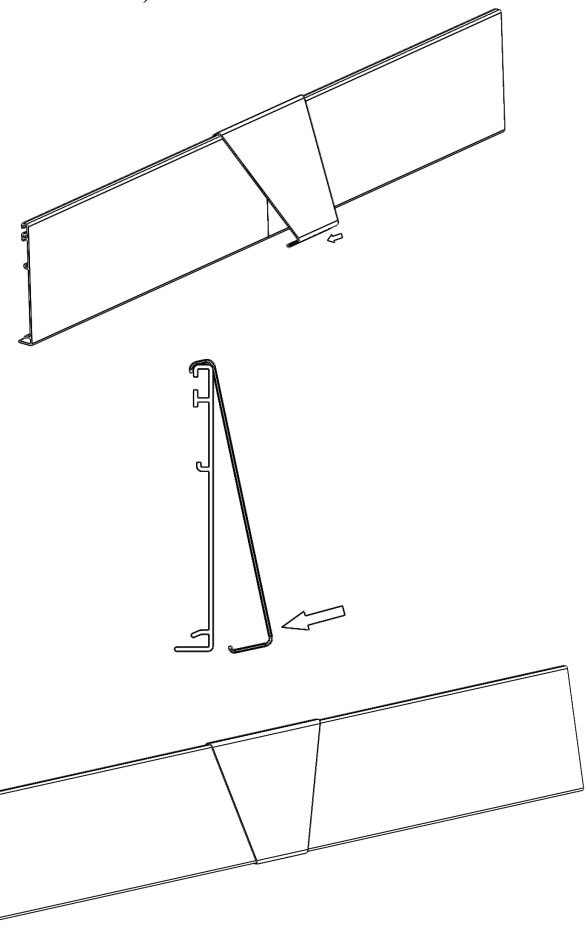
Keystone for Square Fascia



There are two connecting methods.
1. Insert the left & right fascias into the keystone, as shown in below drawing. (It is suggested to use for inside mount shade)



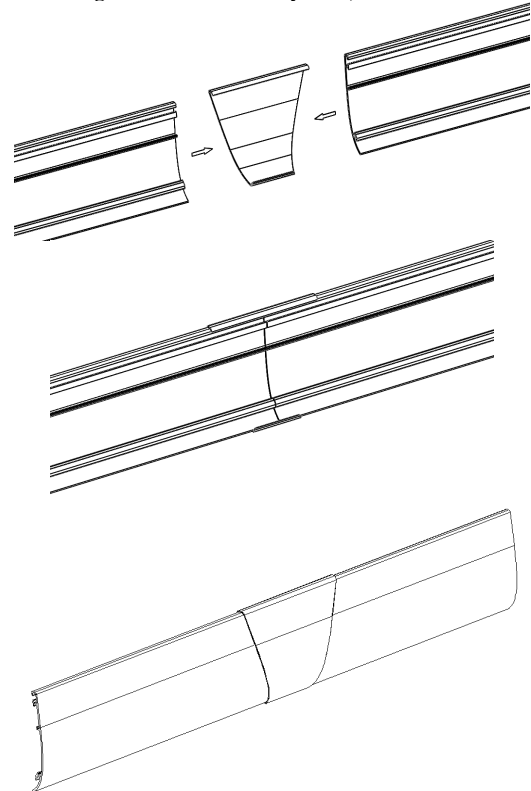
2. Place the keystone onto the joint where the two valance pieces meet, hook the top of the keystone around the top edges of the fascia and then push the bottom edge of the keystone into bottom edges of the fascia, as shown in below drawing. (It is suggested to use for semi-inside mount and outside mount shade)



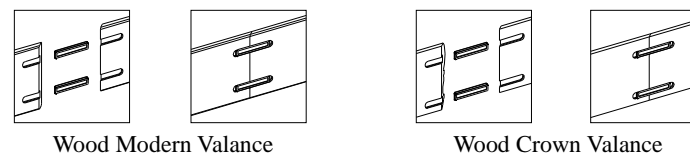
Keystone for Curved fascia without fabric inserted



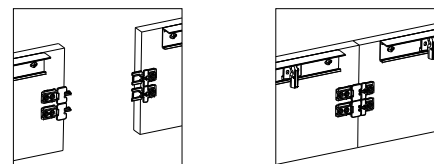
Insert the left & right fascias into the keystone, as shown in below drawing.



Wood Valance connector

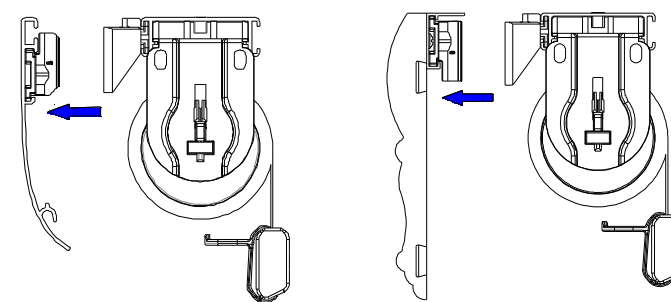


Fabric Valance Connector

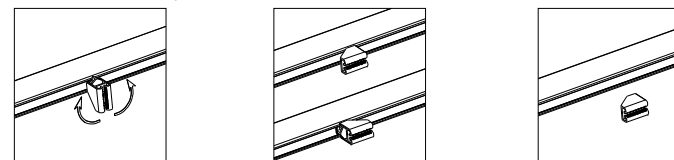


Valance/Fascia Removal

➤ First, remove Valance/Fascia together with valance clip from valance bracket.



➤ Take down shade from mounting bracket before removing valance Bracket from raceway
 Turn the valance bracket 90 degree then take off valance bracket from raceway, as shown below

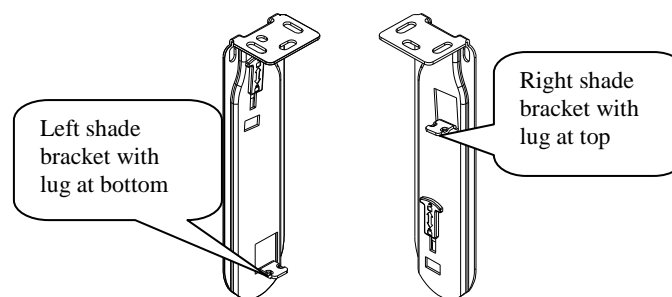


Note: The installation & removal for all fascias & valances are the same.

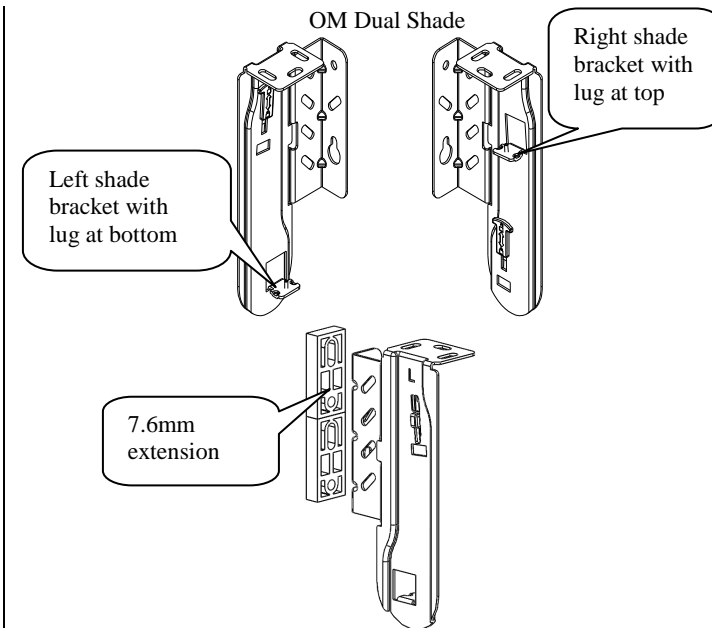
Dual Shade Installation

Installation of the mounting brackets & raceway is the same for dual shades as it is for single shades. Please install the back shade before install the front shade. Installation of the valance clips is also very similar. Please refer to the previous sections for single shades for more info. Please pay attention to distinguish the left and right shade bracket, refer the below instructions.

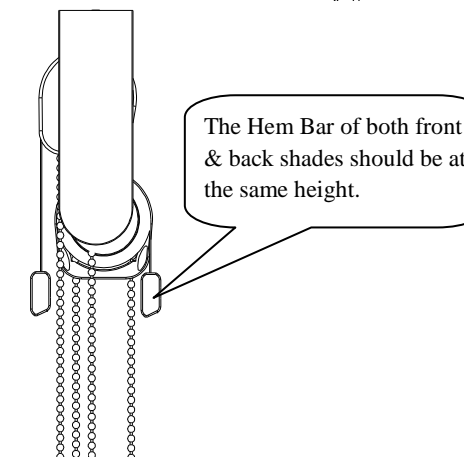
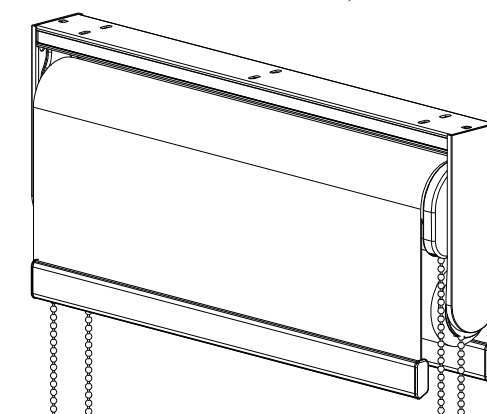
IM Dual Shade



OM Dual Shade



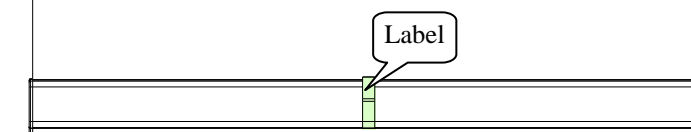
When the fabric roll diameter is larger than 64mm, shade brackets will need to be installed with 7.6mm extensions, two for each shade bracket.



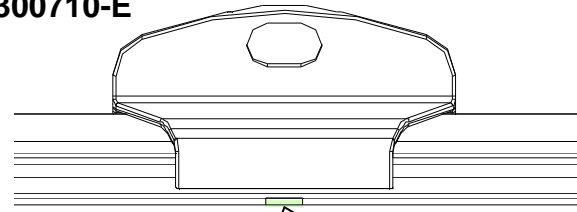
How to install or remove Handle for Cordless Shade

● **Attach Handle to Hem Bar**

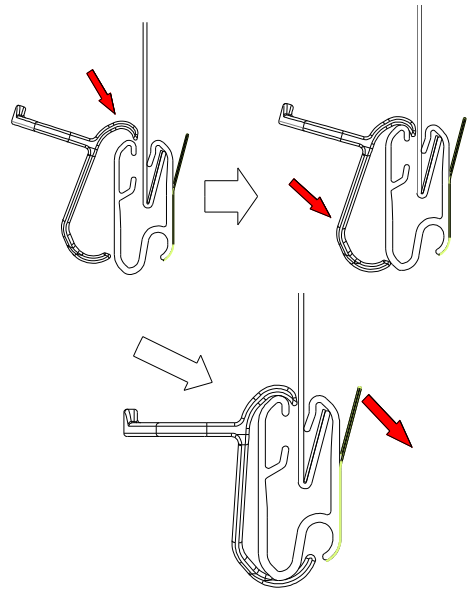
- Turn over hem bar and you can see a label attached at the center of hem bar. Align the center of the bottom of handle with the label and hook the handle to the hem bar from top to bottom.
- Press the handle from top to bottom to make the top of handle clip into the hem bar.
- Finally tear off the label from hem bar.



N300710-E

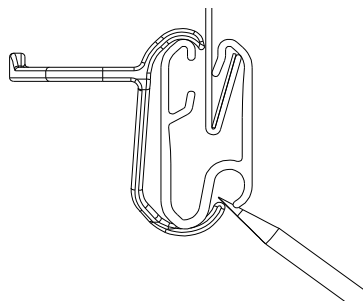


The center of handle should be aligned with the label.



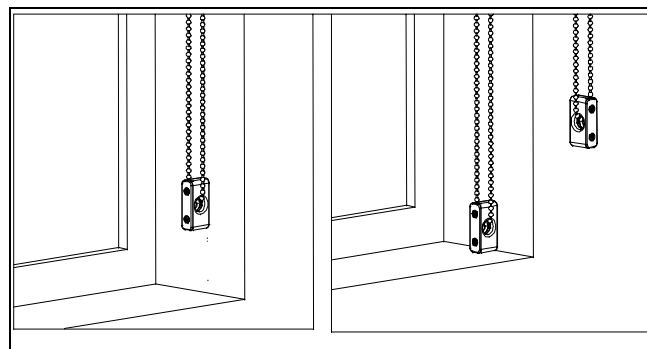
● **Remove handle from hem bar**

Use straight screwdriver to pry the bottom of Handle from hem bar and then handle can be removed.



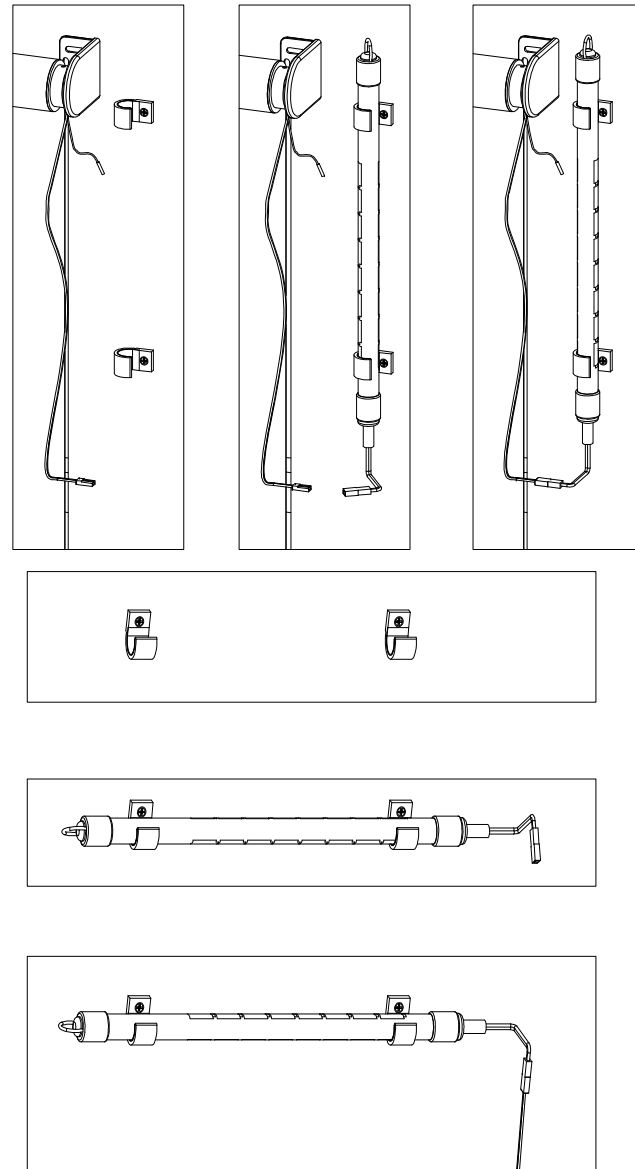
Install Safety Tension Device

Use two 2" flat screws to install the safety device
The chain should be fully extended upon installation of the device

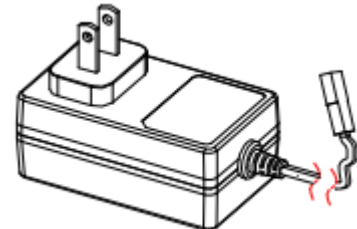


Battery Wand Installation

Battery wands for motorization can be installed horizontally or vertically. They easily install with the affixing of two battery wand clips, both of which should be lined up with each other on the wall so that the battery wand can easily snap into place. Each wand requires 8 AA batteries (not supplied). If your motorization package has the optional AC adapter, it plugs into the motor wire lead directly in place of the battery wand.

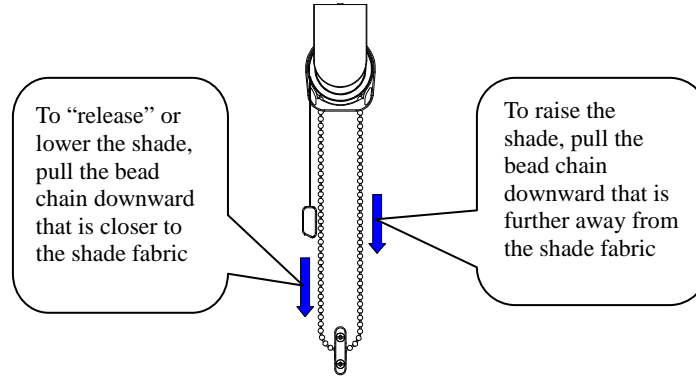


AC adapter



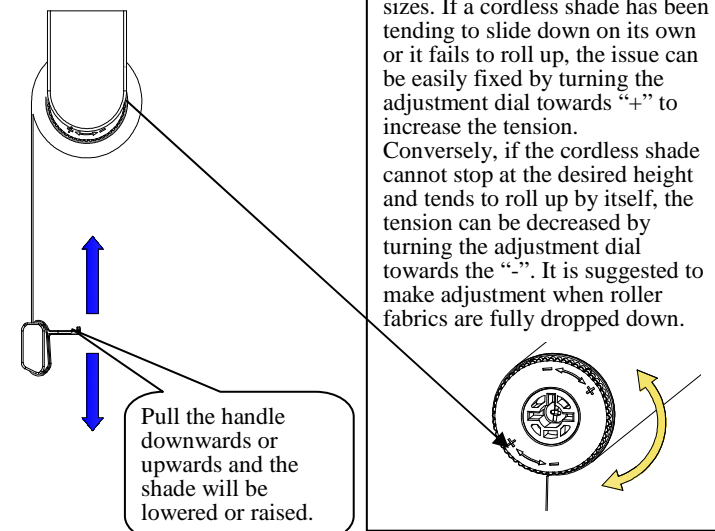
Roller Shade Operation

Continuous Cord Loop & SmartRelease™ Operation

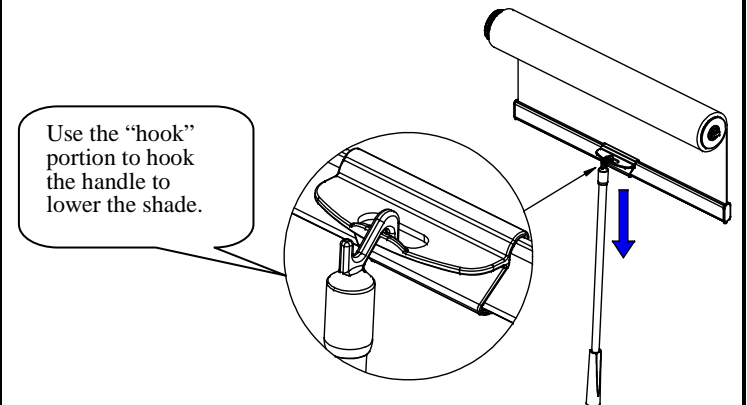


For the operation of SmartRelease™, please gently pull the bead chain which is close to the shade fabric downwards about 40mm (1.5") and the shade will lower automatically. If there is a need to stop the shade during lowering, please pull the bead chain which is away from the shade fabric and then the shade will stop. If the shade cannot lower automatically when gently pull the bead chain which is close to the fabric, please pull the bead chain which is away from the fabric first, and then pull bead chain on the other side.

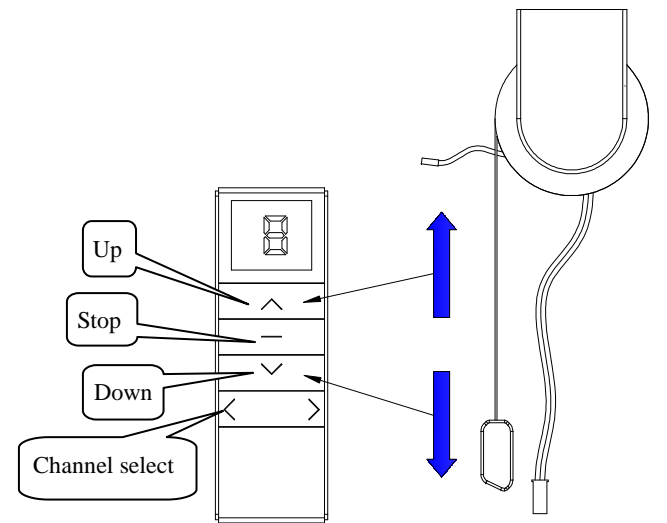
Cordless Operation



The tension in our cordless roller shades can be adjusted to provide optimal light control and to ensure easy and dependable operation on a variety of window types and sizes. If a cordless shade has been tending to slide down on its own or it fails to roll up, the issue can be easily fixed by turning the adjustment dial towards "+" to increase the tension. Conversely, if the cordless shade cannot stop at the desired height and tends to roll up by itself, the tension can be decreased by turning the adjustment dial towards "-". It is suggested to make adjustment when roller fabrics are fully dropped down.



Motorized Operation



Remote Control:

Use 1 Lithium cell battery CR2450 (3V) (not supplied). There are total 15 channels (channel# 1~15) available. The shade will be default pre-program in channel 1 unless specified at the factory before shipping. And the channel 0 is default to operate all.

